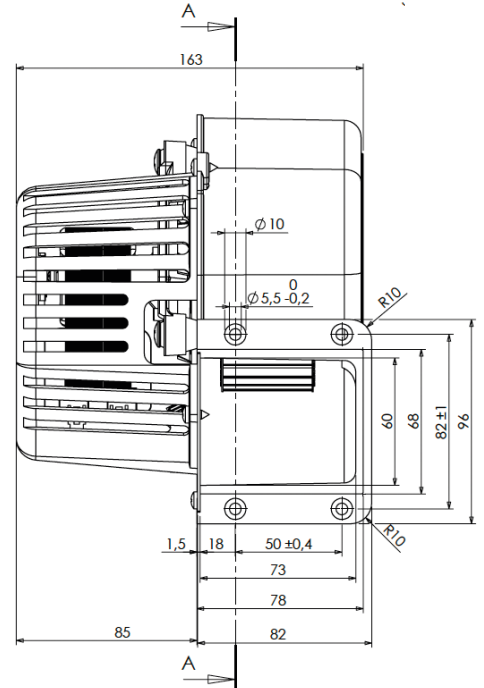
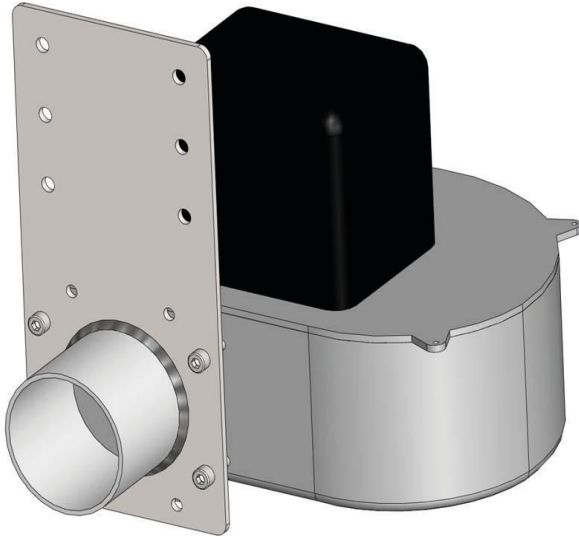


POLY INFLATION BLOWER

230V 50Hz, INCLUDING MOUNTING PLATE, FITS 63MM TUBE



Product Features

Rated voltage	V	230
Rated frequency	Hz	50
Input power (±10%)	W	85
Insulation class (IEC 60085)		H
Min/Max ambient temp.	°C	0-70
Max Temp. Of medium	°C	70
Rated Speed no load (±10%)	Rpm	2000
Rated air flow (±10%)	m ³ /h	230
Static pressure (±10%)	Pa	330
Rotation (side view)		CW
Thermal Protection		PT I50
Mounting Position (ref. To motor axis)		any

