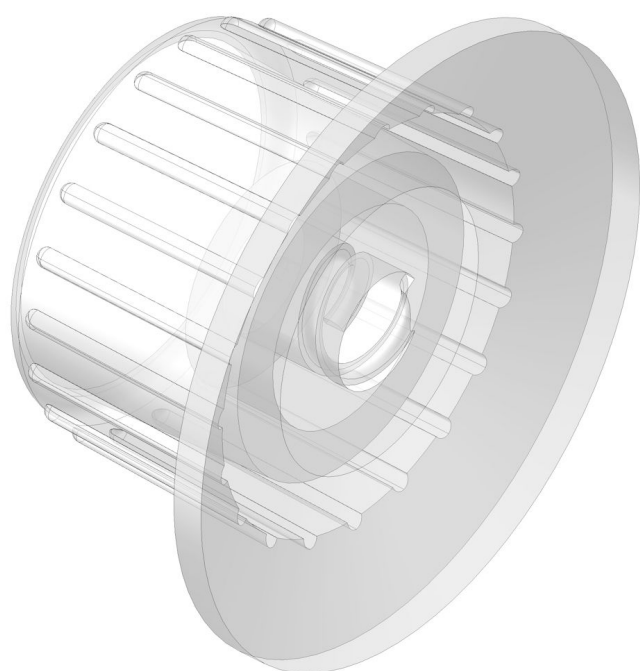


Overview

Lexan film fastener, top - PU = 100 pcs

Product number: 68100101



Options

Version

Type 1 - Buttom

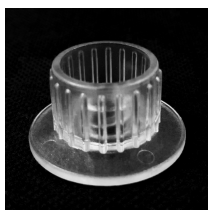
Type 1 - Top

Type 1 - complete

Type 2 - Complete

Type 2 - Top

Type 2 / Buttom



Description

Our film fasteners are applied for attaching a bubble wrap as an additional isolating material to greenhouse walls (glass or twin-wall sheets).

Bubble wrap is impaled onto the bottom part of the film fastener previously sticked with silicon Contractor onto the wall. Afterwards the upper part of the film fastener is screwed up from above to firmly fix the bubble wrap.

The upper part of the film fastener can easily be unscrewed to be newly applied during winter seasons.

Erstellt am 14.03.2025.

Dieses Dokument stellt kein Angebot da. Es gelten die aktuellen Preise im Online-Shop.

* Our offers are directed exclusively to companies. We do not conclude contracts with consumers. All prices excl. VAT plus shipping costs and possible delivery charges, if not stated otherwise.