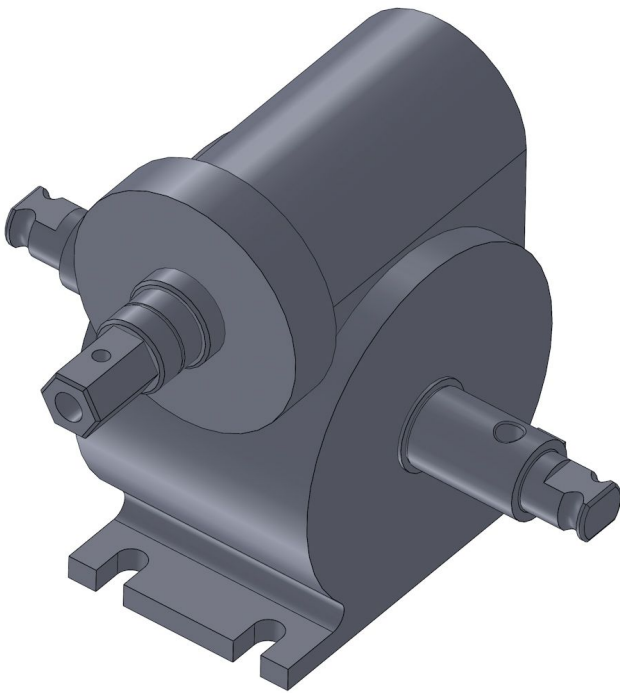


## Overview

# Manual Gear R41-1P TGU for small application - with locking device - 1:40

**Product number:** 25000506



## Description

This manual gear perfectly fits the needs of smaller shading and ventilation systems. It is equipped with a coupling which can be directly bolted to the TGU telescopic shaft or another drive shaft.

The drive gets delivered with a matching hand-crank.

On your request this gear can be also delivered with an extended hand-crank or with a hook for drives that are placed very high and therefore can not be reached directly.

Combined with our chain wheel even gears that are placed very high can be reached.

Erstellt am 24.04.2025.

Dieses Dokument stellt kein Angebot da. Es gelten die aktuellen Preise im Online-Shop.

\* Our offers are directed exclusively to companies. We do not conclude contracts with consumers. All prices excl. VAT plus shipping costs and possible delivery charges, if not stated otherwise.