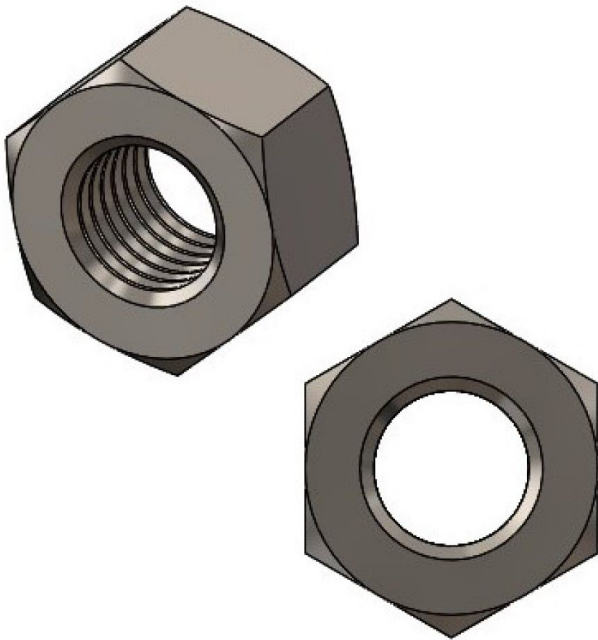


Overview

Nuts M4 steel galv. DIN 934 (ISO 4032) - PU = 100 pcs

Product number: 42200100



Description

These are the steel nuts for the relating DIN-standardized bolts. In our product ranges

Bolt DIN 931 Bolt DIN 933

Material: Steel galvanized are available.