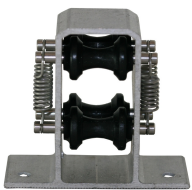
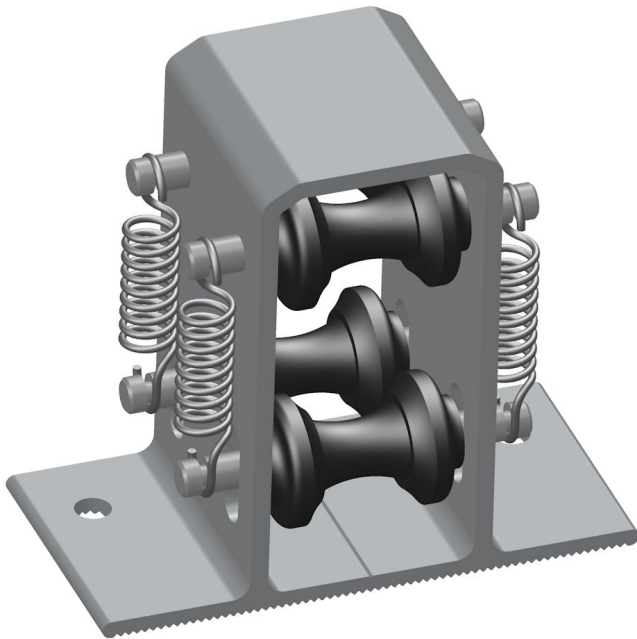


Overview

Delay

Product number: 03220100-1



Options

PU (Pcs)

Description

The delay 27.32 is used in push-pull drive systems in greenhouses with a smaller last post distance.

In these systems it works as a receptacle of 27 or 32 mm push-pull tubes and regulates the narrower shading screen .

Erstellt am 14.03.2025.

Dieses Dokument stellt kein Angebot da. Es gelten die aktuellen Preise im Online-Shop.

* Our offers are directed exclusively to companies. We do not conclude contracts with consumers. All prices excl. VAT plus shipping costs and possible delivery charges, if not stated otherwise.