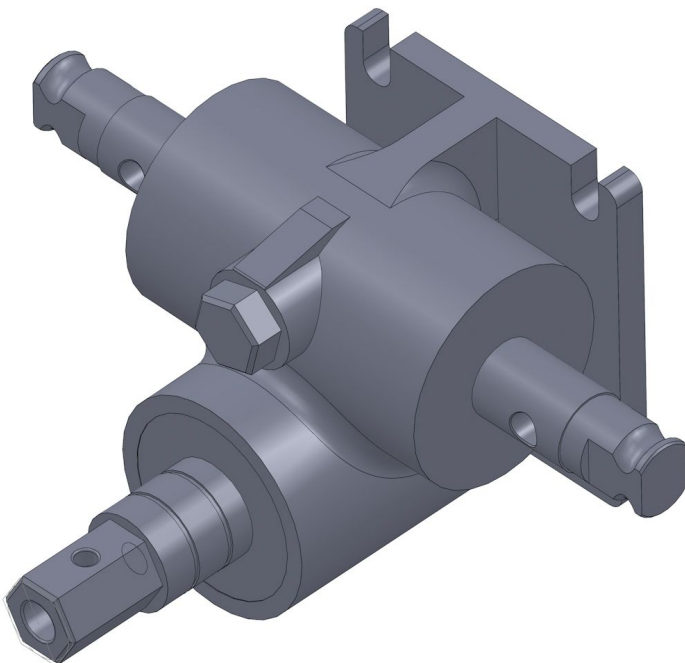


Overview

Manual Gear R17E-TGU for small application - with locking device - 1:16

Product number: 25000501



Description

This manual gear perfectly fits the needs of smaller shading and ventilation systems. It is equipped with a coupling which can be directly bolted to the TGU telescopic shaft or another drive shaft.

Erstellt am 24.04.2025.

Dieses Dokument stellt kein Angebot da. Es gelten die aktuellen Preise im Online-Shop.

* Our offers are directed exclusively to companies. We do not conclude contracts with consumers. All prices excl. VAT plus shipping costs and possible delivery charges, if not stated otherwise.



TGU GmbH & Co. KG

Joseph-Monier Str. 2 48268
Greven

Tel.: 02575 - 955 87 0 Fax:

02575 - 955 87 87 email:
info@tgu-greven.com

HandelsregisterAmtsgericht

Steinfurt, HRB 31 56

Gerichtsstand Steinfurt

Erfüllungsort Greven DE

125 543 036

The drive gets delivered with a matching hand-crank.

On your request this gear can be also delivered with an extended hand-crank or with a hook for drives that are placed very high and therefore can not be reached directly.

Combined with our chain wheel even gears that are placed very high can be reached.

Erstellt am 24.04.2025.

Dieses Dokument stellt kein Angebot da. Es gelten die aktuellen Preise im Online-Shop.

* Our offers are directed exclusively to companies. We do not conclude contracts with consumers. All prices excl. VAT plus shipping costs and possible delivery charges, if not stated otherwise.