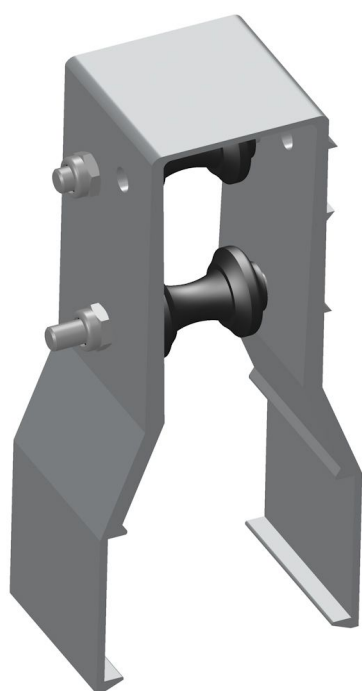


## Overview

# Roll support for push-pull tubes 60 x 40 mm

Product number: 03206040-1



## Options

### PU (Pcs)

1

32

## Description

The roll support 60.40 works as a bearing for push pull tubes for truss-ventilations in greenhouses with truss.

It is compatible with trusses of 60 x 40 mm and are easily clipped on top of them.

The roll support can be used for tubes with different sizes as the diablo rolls are mountable and very flexible.

Compatible with 27 und 32 mm tubes.

Material: aluminium-housing with diablo rolls made of plastic

Erstellt am 14.03.2025.

Dieses Dokument stellt kein Angebot da. Es gelten die aktuellen Preise im Online-Shop.

\* Our offers are directed exclusively to companies. We do not conclude contracts with consumers. All prices excl. VAT plus shipping costs and possible delivery charges, if not stated otherwise.