



TGU GmbH & Co. KG
Joseph-Monier Str. 2 48268
Greven

Tel.: 02575 - 955 87 0 Fax: HandelsregisterAmtsgericht
Steinfurt, HRB 31 56
02575 - 955 87 87 email: Gerichtsstand Steinfurt
info@tgu-greven.com Erfüllungsort Greven DE
125 543 036

Overview

Motor mount TGU S 400.600 RW 200 - 600 for motor gearbox RW 200 - 600 (square tube Vierkantrohr 50x50) - for suspended shading systems

Product number: 32135500

Erstellt am 24.04.2025.

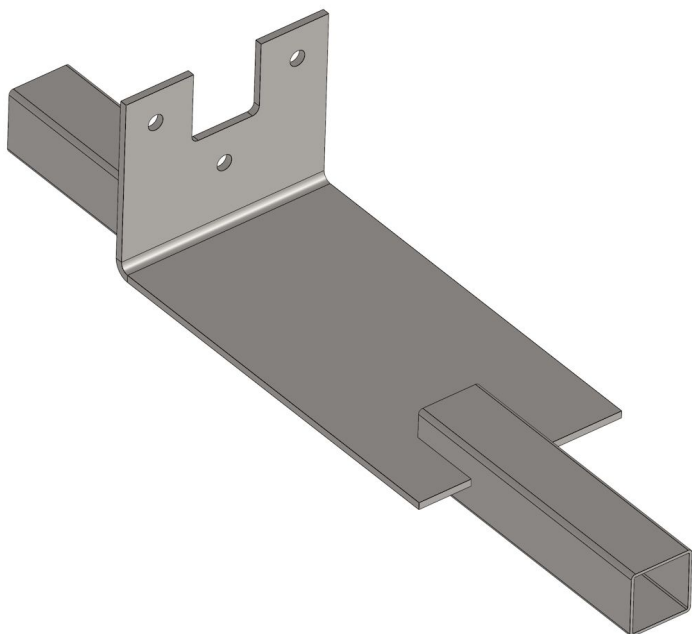
Dieses Dokument stellt kein Angebot da. Es gelten die aktuellen Preise im Online-Shop.

* Our offers are directed exclusively to companies. We do not conclude contracts with consumers. All prices excl. VAT plus shipping costs and possible delivery charges, if not stated otherwise.



TGU GmbH & Co. KG
Joseph-Monier Str. 2 48268
Greven

Tel.: 02575 - 955 87 0 Fax: HandelsregisterAmtsgericht
Steinfurt, HRB 31 56
02575 - 955 87 87 email: Gerichtsstand Steinfurt
info@tgu-greven.com Erfüllungsort Greven DE
125 543 036



Description

The motor mount puts the drive shaft into the perfect position for the drive system. This model is suitable for suspended shading systems and makes installation easy, because there is no need to place drive shaft manually. The square tubes can directly be inserted onto the motor mount during construction.

The motor mount is compatible with the gear motor RW 200, 400 and 600

Material: Galvanized steel

Erstellt am 24.04.2025.

Dieses Dokument stellt kein Angebot da. Es gelten die aktuellen Preise im Online-Shop.

* Our offers are directed exclusively to companies. We do not conclude contracts with consumers. All prices excl. VAT plus shipping costs and possible delivery charges, if not stated otherwise.