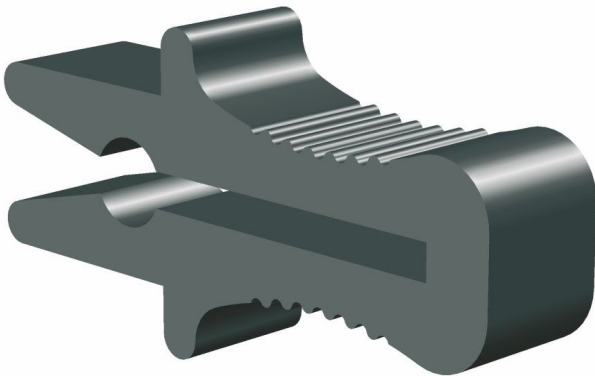


## Overview

# Universal cloth clip 6 mm - PU = 500 pcs

Product number: 67100060



## Description

Our spring clips are used to fasten a film or fleece to poly tunnel stakes and in this way to build a light tunnel as a cover from frost or bad weather.

The ventilation of simple tunnels made of spring steel rods is supported by the spring clips. Beat the foil side up and attach the turned-up film with clips on the spring steel bars.

Erstellt am 14.03.2025.

Dieses Dokument stellt kein Angebot da. Es gelten die aktuellen Preise im Online-Shop.

\* Our offers are directed exclusively to companies. We do not conclude contracts with consumers. All prices excl. VAT plus shipping costs and possible delivery charges, if not stated otherwise.