

Overview

Cable Pulley 90/8 with clamp - Pkg - 50 pcs

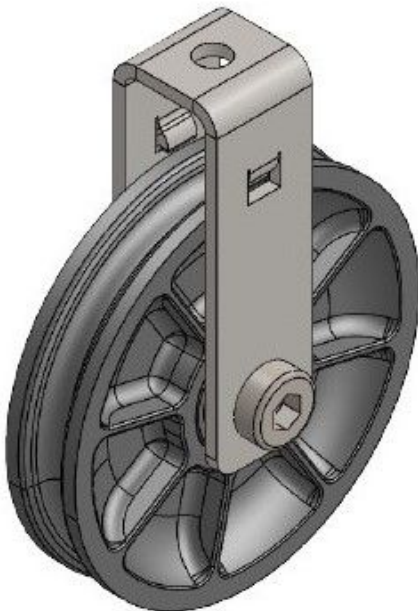
Product number: 04400096

Options

PU

1

Box



Description

Thanks to two ball bearings, **the 90 mm pulley** is guided particularly securely on the axle and has a high level of stability under shear loads.

The galvanised steel bracket can be attached to your construction with an **M8 screw**. The retaining bracket can also be detached from the pulley to make installation **as easy as possible**, even in installation situations that are

Erstellt am 14.03.2025.

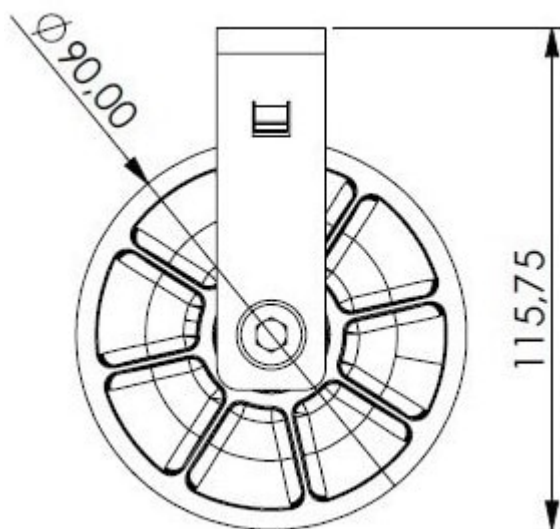
Dieses Dokument stellt kein Angebot da. Es gelten die aktuellen Preise im Online-Shop.

* Our offers are directed exclusively to companies. We do not conclude contracts with consumers. All prices excl. VAT plus shipping costs and possible delivery charges, if not stated otherwise.

difficult to access.



- Impact resistant pulley
- Galvanised steel bracket
- Two ball bearings
- Load capacity: up to 350 kg
- Made in Germany



- Outer diameter: 90 mm
- Total height: 115,75 mm

Erstellt am 14.03.2025.

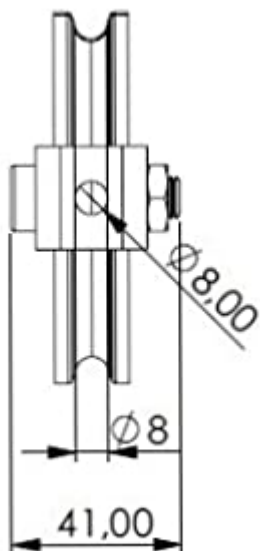
Dieses Dokument stellt kein Angebot da. Es gelten die aktuellen Preise im Online-Shop.

* Our offers are directed exclusively to companies. We do not conclude contracts with consumers. All prices excl. VAT plus shipping costs and possible delivery charges, if not stated otherwise.



TGU GmbH & Co. KG
Joseph-Monier Str. 2 48268
Greven

Tel.: 02575 - 955 87 0 Fax: HandelsregisterAmtsgericht
Steinfurt, HRB 31 56
02575 - 955 87 87 email: Gerichtsstand Steinfurt
info@tgu-greven.com Erfüllungsort Greven DE
125 543 036



- Total width: 41 mm
- Rope diameter: up to $\varnothing 8$ mm
- Fastening with M8 screw / bolt

Erstellt am 14.03.2025.

Dieses Dokument stellt kein Angebot da. Es gelten die aktuellen Preise im Online-Shop.

* Our offers are directed exclusively to companies. We do not conclude contracts with consumers. All prices excl. VAT plus shipping costs and possible delivery charges, if not stated otherwise.