

Overview

Cable pulley 52/4

Product number: 04300098-1



Options

PU

1

Box

Version:

Ball bearing

Plain bearing

Description

Due to the extra wide plain bearing, the 52 mm pulley is guided particularly safely on the axle and has a high stability under shear loads.

Together with the plain bearing, the pulley is made of 100 % plastic and is therefore completely protected against corrosion and other environmental influences.

Erstellt am 28.04.2025.

Dieses Dokument stellt kein Angebot da. Es gelten die aktuellen Preise im Online-Shop.

* Our offers are directed exclusively to companies. We do not conclude contracts with consumers. All prices excl. VAT plus shipping costs and possible delivery charges, if not stated otherwise.



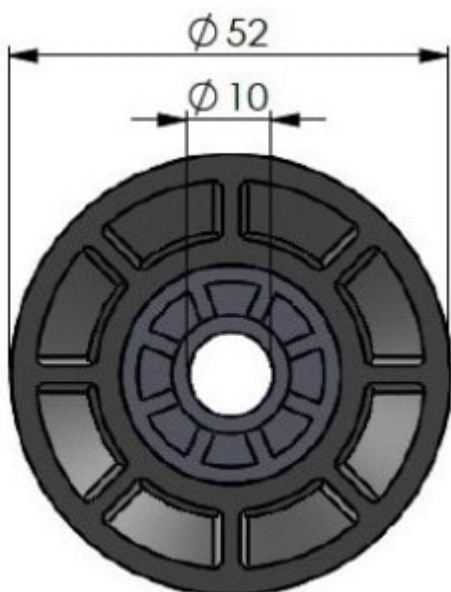
TGU GmbH & Co. KG
Joseph-Monier Str. 2 48268
Greven

Tel.: 02575 - 955 87 0 Fax:
02575 - 955 87 87 email:
info@tgu-greven.com

HandelsregisterAmtsgericht
Steinfurt, HRB 31 56
Gerichtsstand Steinfurt
Erfüllungsort Greven DE
125 543 036



- Impact resistant pulley
- Plain bearing inserts
- Load capacity: up to 150 kg
- Made in Germany



- Outer diameter: 52 mm
- compatible with 10 mm bolt

Erstellt am 28.04.2025.

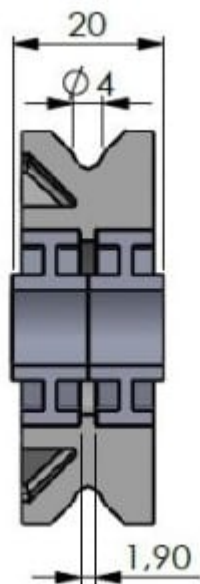
Dieses Dokument stellt kein Angebot da. Es gelten die aktuellen Preise im Online-Shop.

* Our offers are directed exclusively to companies. We do not conclude contracts with consumers. All prices excl. VAT plus shipping costs and possible delivery charges, if not stated otherwise.



TGU GmbH & Co. KG
Joseph-Monier Str. 2 48268
Greven

Tel.: 02575 - 955 87 0 Fax: HandelsregisterAmtsgericht
Steinfurt, HRB 31 56
02575 - 955 87 87 email: Gerichtsstand Steinfurt
info@tgu-greven.com Erfüllungsort Greven DE
125 543 036



- Total width: 20 mm
- Rope diameter: up to $\varnothing 4$ mm

Erstellt am 28.04.2025.

Dieses Dokument stellt kein Angebot da. Es gelten die aktuellen Preise im Online-Shop.

* Our offers are directed exclusively to companies. We do not conclude contracts with consumers. All prices excl. VAT plus shipping costs and possible delivery charges, if not stated otherwise.